



INHERITING FROM THE WORLD'S  
LEADING TECHNOLOGY

28 kWm 1500 rev/min  
30 kWm 1800 rev/min  
GENSET POWER

## 1003G POWER PACK IN-LINE PUMP

### High Power Density

Power output and torque per liter are superior to normal level with optimized structure strengthening.

### Low Fuel Consumption

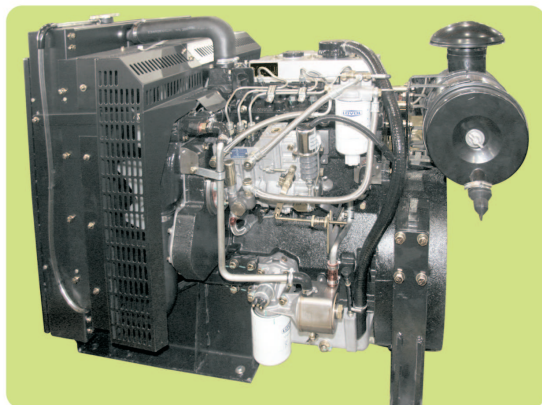
The excellent combustion system can reduce fuel consumption, emission and noise, meanwhile increase engine power output.

### Easy Maintenance

All routine service items are situated on the right hand side of engine allowing easy maintenance and minimum machine downtime.

### Durability & Reliability

Start normally at -10°C without preheated device, start smoothly at -25°C through flame glow plug cold start aid. Maximum cooling efficiency is provided by a gear driven water pump and independent fan drive. Leak free operation is ensured by Viton crankshaft seals and sophisticated controlled swell joints, giving protection in the toughest conditions.



Engine Speed (rev/min)	Type of Operation	Typical Generator Output (Net)		Engine Power			
		kVA	kW	Gross		Net	
				kWm	bh	kWm	bh
1500	prime power	27.5	22	30	40.2	28	37.6
	standby power	32.5	26	32.8	44	30.8	41.3
1800	prime power	33.8	27	33	44	30	40.2
	standby power	37.5	30	36	48.3	33	44.3

Rating Base: ISO 8528, GB/T2820  
Lubricating oil: API CF



INHERITING FROM THE WORLD'S  
LEADING TECHNOLOGY

### Standard Specification

**Air inlet**  
Mounted air filter

**Fuel system**  
In-line fuel injection pump  
Spin-on full flow fuel filter and pre-filter

**Lubrication system**  
Flat bottomed aluminum sump  
Spin-on full flow oil filter  
Oil cooler

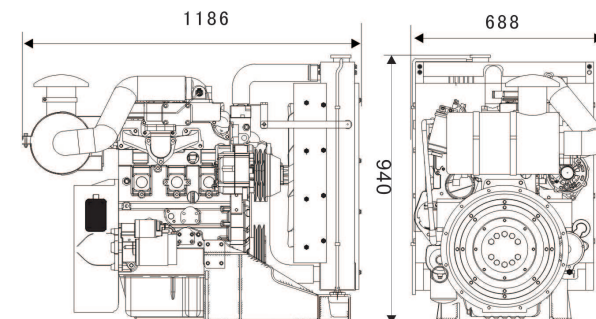
**Cooling system**  
Thermostat controlled cooling system  
with gear driven water pump  
Radiator  
20" belt-driven pusher fan and guards

**Electrical system**  
12 volt starter motor and alternator  
Oil pressure and water temperature  
switch & sensor  
12 volt shut down solenoid

**Flywheel and housing**  
High inertia flywheel, size : 10/11<sub>1/2</sub>  
SAE3 flywheel housing

**Mountings**  
Front engine mounting bracket

**Optional Equipment**  
24 volt alternator  
24 volt starter motor



### General Data

Cylinder number	3
Cylinder arrangement	Vertical, in-line
Bore×stroke	100 mm×127 mm
Displacement	2.99 liters
Induction	Naturally aspirated
Cycle	4-stroke
Combustion system	Direct injection
Compression ratio	16.5:1
Direction of Rotation	Clockwise viewed from fan
Lub. System Capacity	8.1 liters
Coolant capacity (inc. radiator)	15.9 liters
Length	1186 mm
Width	688 mm
Height	940 mm
net weight	410 kg

Final weight and dimensions will depend on final specification.



TIANJIN LOVOL ENGINES CO., LTD.  
77 Gaoxin Avenue, Beichen Hi-tech Industrial  
park, Beichen district, Tianjin.  
Tel: +86(0)22 26899125/26996802  
Fax: +86(0)22 86993260  
Email: lovolengines@lovolengines.com  
www.lovolengines.com

All information in this document is substantially  
correct at the time of printing and may be altered  
subsequently.

Distributed by