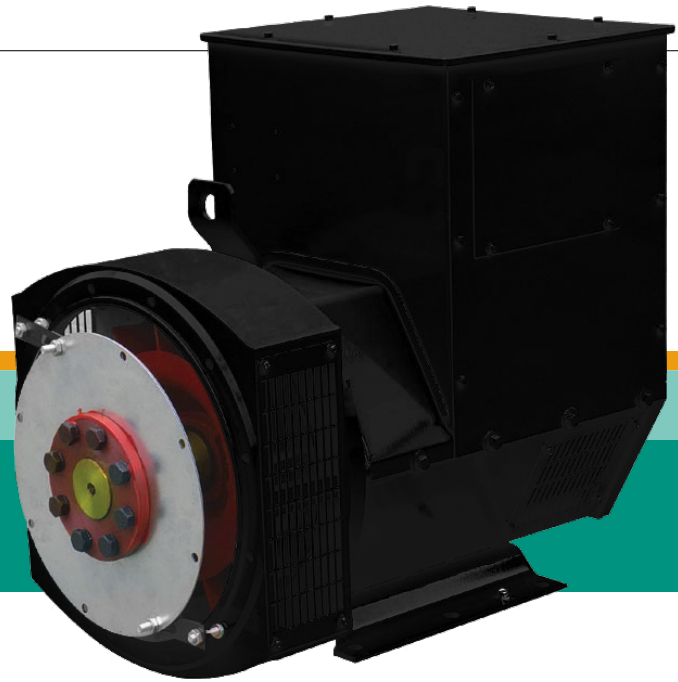


# NEW ERA SLG

SERIES THREE-PHASE BRUSHLESS SYNCHRONOUS ALTERNATOR



## SLG224 TECHNICAL DATA SHEET

### 50Hz CLASS "H"

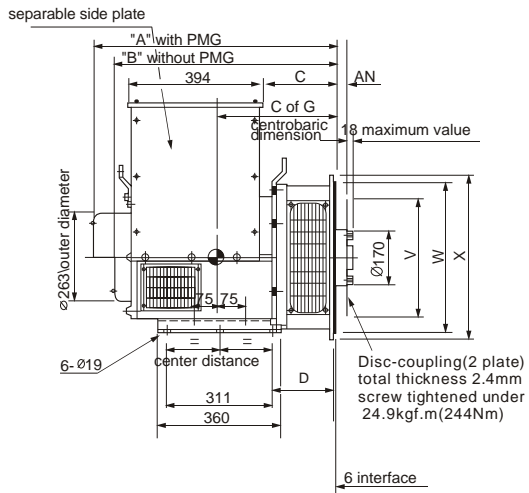
RATINGS	Winding 311 / 0.8 Power Factor												Winding 05							
	Cont./125k/40°C						Cont./125k/40°C						Cont./125k/40°C							
PHASE	3 PHASE						1 PHASE						1 PHASE							
SERIES STAR	380	400	415	440														Power Factor		
PARALLEL STAR	190	200	208	220														0.8	1	
SERIES DELTA	220	230	240	254																
DOUBLE DELTA									220	230	240							220,230,240		
	KVA	KW	KVA	KW	KVA	KW	KVA	KW	KVA	KW	KVA	KW	KVA	KW	KVA	KW	KVA	KW	KVA	KW
SLG224C	42.5	34	42.5	34	42.5	34	32.5	26	28.5	22.8	28.5	22.8	28.5	22.8	28	22.4	28	28		
SLG224D	50	40	50	40	50	40	46.9	37.5	33.5	26.8	33.5	26.8	33.5	26.8	35	28	35	35		
SLG224E	60	48	60	48	60	48	45	36	40	32	40	32	40	32	40	32	40	40	40	40
SLG224F	72.5	58	72.5	58	72.5	58	55	44	48.5	38.8	48.5	38.8	48.5	38.8	50	40	50	50		
SLG224G	85	68	85	68	85	68	75	60	56.5	45.2	56.5	45.2	56.5	45.2	60	48	60	60		

### 60Hz CLASS "H"

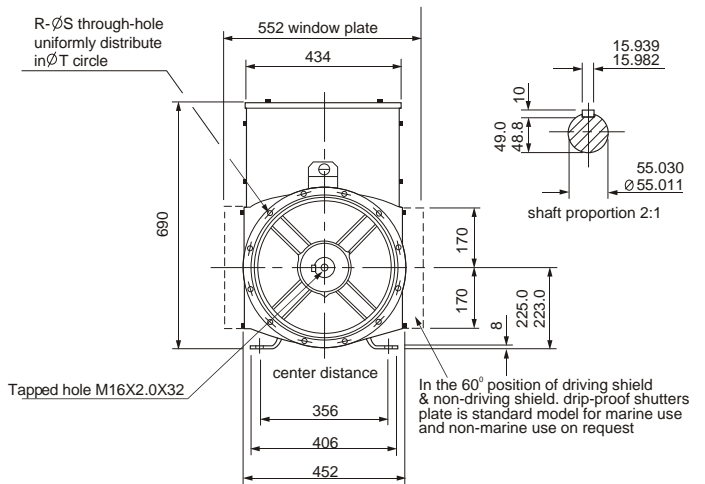
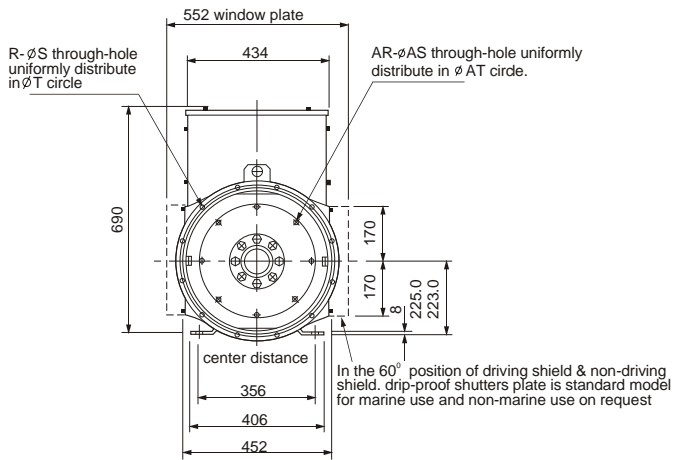
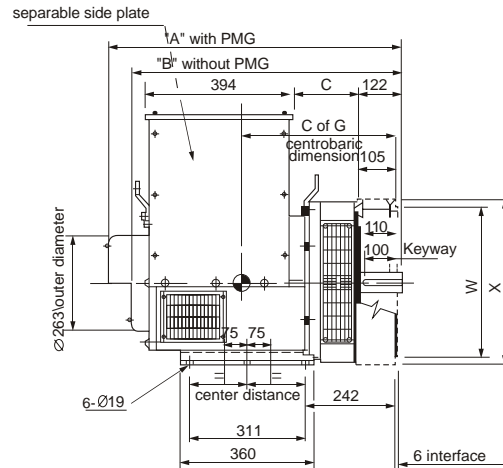
RATINGS	Winding 311 / 0.8 Power Factor												Winding 06							
	Cont./125k/40°C						Cont./125k/40°C						Cont./125k/40°C							
PHASE	3 PHASE						1 PHASE						1 PHASE							
SERIES STAR	416	440	460	480															Power Factor	
PARALLEL STAR	208	220	230	240														0.8	1	
SERIES DELTA	240	254	266	277																
DOUBLE DELTA									220	230	240							220,230,240		
	KVA	KW	KVA	KW	KVA	KW	KVA	KW	KVA	KW	KVA	KW	KVA	KW	KVA	KW	KVA	KW	KVA	KW
SLG224C	50	40	52.5	42	52.5	42	55	44	30.5	24.4	32	25.6	33.5	26.8	37.5	30	37.5	37.5		
SLG224D	60	48	62.5	50	62.5	50	65	52	36.5	29.2	38.3	30.6	40	32	44	35	44	44		
SLG224E	67.5	54	70	56	72.5	58	75	60	41.3	33	43.1	34.5	45	36	50	40	50	50		
SLG224F	83.8	67	87.5	70	87.5	70	93.8	75	50	40	52.5	42	56	45	60	48	60	60		
SLG224G	93.8	75	97.5	78	100	80	103.8	83	56.9	45.5	59.4	47.5	62.5	50	70	56	75	75		

**SLG224 External dimension**

**SINGLE BEARING**



**DOUBLE BEARING**



DIMENSION (mm)					SHIPMENT DATA		
Model	A	B	C	C of G	N.W(kg)	G.W(kg)	LXWXH(mm)
SAE2.4	SLG224C	734	671	233.5	323	235	255 820X540X870
	SLG224D	734	671	233.5	333	250	270 820X540X870
	SLG224E	824	761	323.5	348	270	290 890X540X870
	SLG224F	824	761	323.5	358	310	330 890X540X870
	SLG224G	869	806	368.5	373	350	370 930X540X875
SAE3	SLG224C	710	647	210	311	235	255 820X540X870
	SLG224D	710	647	210	321	250	270 820X540X870
	SLG224E	800	737	300	336	270	290 890X540X870
	SLG224F	800	737	300	346	310	330 890X540X870
	SLG224G	845	782	345	361	350	370 930X540X875

DIMENSION (mm)					SHIPMENT DATA		
Model	A	B	C	C of G	N.W(kg)	G.W(kg)	LXWXH(mm)
SLG224C	792	729	170	368	250	275	820X540X870
SLG224D	792	729	170	378	270	295	820X540X870
SLG224E	882	819	260	393	290	315	930X540X875
SLG224F	882	819	260	403	320	345	930X540X875
SLG224G	927	864	305	418	360	385	930X540X875

FLANGE (mm)						
S.A.E.NO.	D	R	S	T	W	X
2	200.5	12	11	466.7	447.6	490
3	177	12	11	428.6	409.5	451
4	177	12	11	381.0	361.9	451

FLANGE (mm)					
S.A.E.NO.	R	S	T	W	X
2	12	11	466.7	447.6	495
3	12	11	428.6	409.5	451
4	12	11	381.0	361.9	403
5	8	11	333.3	314.3	356

DISC COUPLING (mm)					
S.A.E.NO.	AN	AR	AS	AT	V
8	61.9	6	11	244.4	263.4
10	53.98	8	11	295.3	314.2
11.5	39.68	8	11	333.3	352.3
14	25.40	8	13.5	438.2	466.6

SINGLE BEARING SAE NO SELECTOR			
	SAE8	SAE10	SAE11.5
SAE 2			•
SAE 3		•	•
SAE 4	•	•	